



TRIPODS



MQ TRIPODS 2023

Tripods for metrology & industry



ABOUT MQ

MQ's products have been used worldwide by various professionals in the industry, metrology and surveying. MQ excels in tripods with a high degree of stability. The products are made of high quality materials, have a modern sturdy design and a luxurious look. The tripods from MQ are used for many purposes, such as optical measuring equipment, radar systems and machine control systems.

MQ is a Dovi Group brand. The main goal of Dovi Group is to develop and produce quality products for our customers in a fair way. If you choose for a Dovi Group brand you choose for the Dovi Group vision. This means that our products are made of the highest quality materials, are user-friendly and durable so you can get the best out of it day in and day out without any worries.

Since 1983 we have specialized in manufacturing high-quality tripods and accessories. What makes us so unique is that we have the entire process under one roof in the Netherlands. This gives us full control over the process and quality and makes us very flexible. For the production of the parts we only use the best materials that meet the latest environmental standards. The parts are made with the highest precision on our own modern and automated machines. To ensure that the parts last for a long time we provide them with a durable surface treatment. The assembly is done by skilled and experienced employees with an eye for detail. Each product is then subjected to strict quality control so that we can be sure that it meets our high quality standard and you can make a difference!

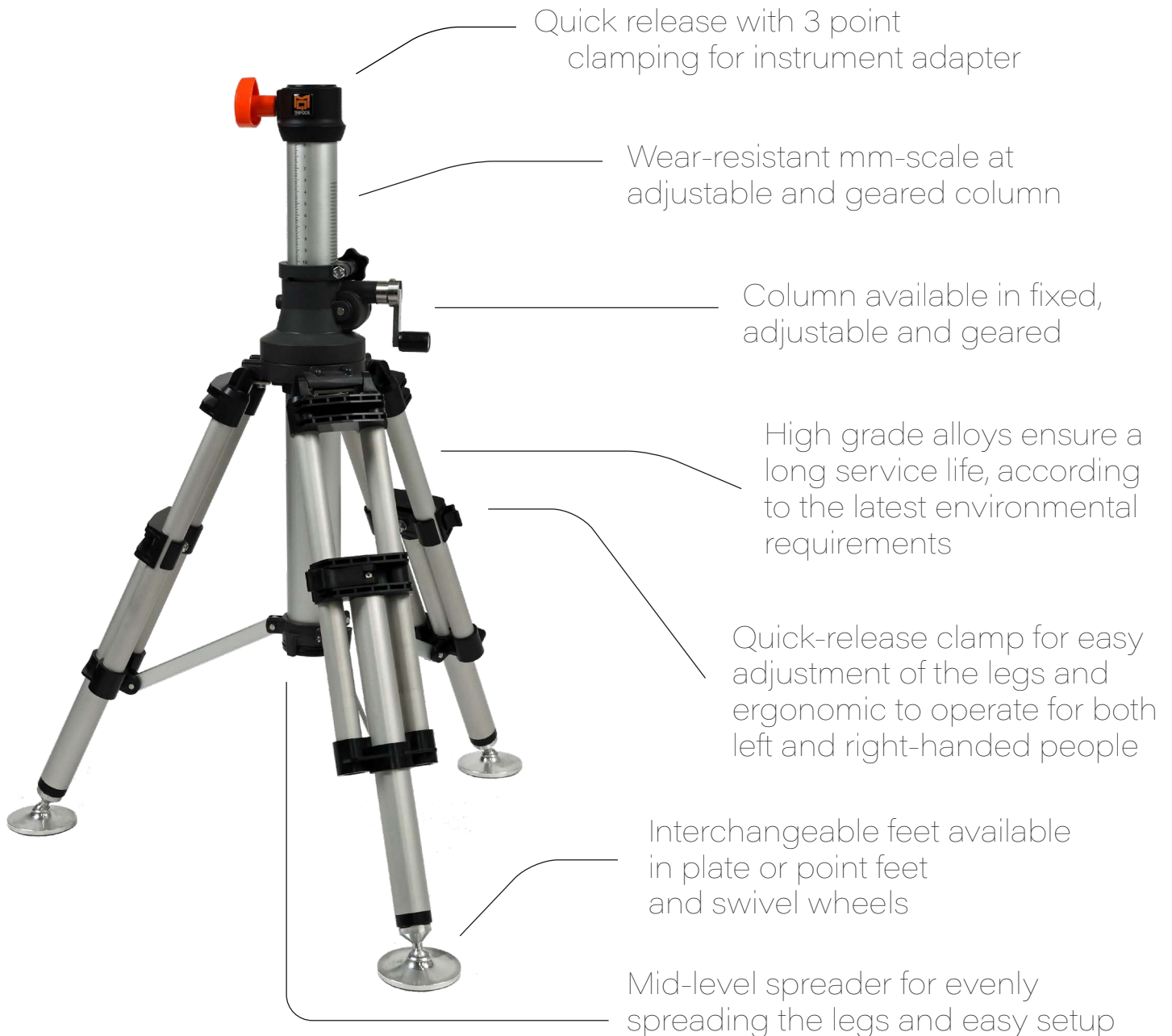


	Page
Industrial Lite Tripods - <i>Lightweight & Compact</i>	4
Industrial Lite Tripods Fixed	6
Industrial Lite Tripods Adjustable	7
Industrial Lite Tripods Geared	8
Industrial Lite Tripods Accessories	9
Heavy Duty Tripods - <i>The All-rounder</i>	10
Heavy Duty Tripods Fixed	12
Heavy Duty Tripods Adjustable	13
Heavy Duty Tripods Geared	14
Heavy Duty Tripods Spindle	15
Heavy Duty Tripods Accessories <i>new</i>	17
Heavy Duty Carbon Tripods - <i>Thermal stability</i>	18
Heavy Duty Carbon Tripods Fixed <i>new</i>	20
Heavy Duty Carbon Tripods Adjustable <i>new</i>	21
Heavy Duty Carbon Tripods Geared <i>new</i>	22
Heavy Duty Carbon Tripods Accessories <i>new</i>	23
Precision Tripods - <i>Absolute accuracy</i>	24
Precision Tripods Aluminium <i>new</i>	26
Precision Tripods Carbon <i>new</i>	27
Precision Tripods Aluminium Fixed <i>new</i>	28
Precision Tripods Accessories <i>new</i>	29
Adapters - <i>The connecting element</i>	31



INDUSTRIAL LITE TRIPODS





INFORMATION & APPLICATIONS

The Industrial Lite Tripods are aluminium lightweight and compact tripods and are ideal for quick and flexible work. The legs have a tube diameter of 22/30 mm and the center column has a tube diameter of 45/50 mm. The Industrial Lite Tripods are available in 3 different column types, can be equipped with 3 types of interchangeable feet and an adapter (optional). This allows the tripod to be used for multiple applications in many locations. Suitable for optical measuring instruments.



INDUSTRIAL LITE TRIPODS / *FIXED*



Model	Workrange	Footprint \varnothing	Folded	Weight	Max. Load
MQ070V	455 - 660	525 - 725	500 x 210	3	20
MQ094V	580 - 905	640 - 955	635 x 210	3,3	20
MQ146V	860 - 1435	880 - 1450	950 x 210	3,9	20
MQ179V	1060 - 1850	900 - 1500	1135 x 210	4,3	20

Dimensions in mm / weight in kg



Model	Workrange	Stroke	Footprint \varnothing	Folded	Weight	Max. Load
MQ072H20	485 - 885	200	525 - 725	525 x 210	3,5	15
MQ096H35	605 - 1280	350	640- 955	660 x 210	3,8	15
MQ148H50	885 - 1960	500	880 - 1450	980 x 210	4,4	15
MQ181H55	1085 - 2425	550	900 - 1500	1160 x 210	4,8	15
MQ181H155	1130- 3070	1150*	900 - 1500	1205 x 210	5,3	15

Dimensions in mm / weight in kg



Model	Workrange	Stroke	Footprint \varnothing	Folded	Weight	Max. Load
MQ073A20	505 - 910	200	525 - 725	550 x 210	3,9	12
MQ097A35	630 - 1305	350	640 - 955	685 x 210	4,2	12
MQ149A50	910 - 1985	500	880 - 1450	1000 x 210	4,8	12
MQ182A55	1110 - 2450	550	900 - 1500	1185 x 210	5,2	12
MQ185A115	1155 - 3095	1150*	900 - 1500	1230 x 210	5,7	12

Dimensions in mm / weight in kg



MQL408

Aluminium spherical plate foot with 3 rubber pads for smooth surfaces. Also available in set.



MQL201

Aluminium point foot with hardened tip for rough and outdoor surfaces. Also available in set.



MQL231

Swivel wheel for easy moving your tripod around. The wheel lock avoids any inadvertent moving. Also available in set.



ADAPTERS

The connection between the tripod and your equipment.
See page 31 for more information.



HEAVY DUTY TRIPODS





INFORMATION & APPLICATIONS

The Heavy Duty Tripods are perfect for heavier and higher work and offer a lot of stability. These tripods are versatile and are used in many sectors, like industry, agriculture and construction, and for various applications, like optical measuring instruments, radar systems and machine control systems. These tripods are fully made of high grade aluminium. The legs have a tube diameter of 40/45 mm and the center column has a tube diameter of 50/55 mm. The robust design ensures high stability and the use of high-quality materials makes these tripods very durable and low-maintenance.



Model	Workrange	Footprint \varnothing	Folded	Weight	Max. Load
MQH125V	835 - 1355	965 - 1495	930 x 265	10,1	60
MQH175V	1075 - 1845	1205 - 1985	1200 x 265	11,4	60
MQH255V	1655 - 2655	1510 - 2600	1635 x 265	13,6	60
MQH315V	1785 - 3250	1790 - 3155	1960 x 265	15,2	60

Dimensions in mm / weight in kg



Model	Workrange	Stroke	Footprint \varnothing	Folded	Weight	Max. Load
MQH125H45	875 - 1845	450	965 - 1495	970 x 265	11,2	40
MQH175H60	1115 - 2475	600	1205 - 1985	1240 x 265	12,7	40
MQH175H130	1160 - 3220	1300*	1205 - 1985	1285 x 265	13,4	40
MQH255H60	1695 - 3295	600	1510 - 2600	1675 x 265	14,9	40
MQH255H130	1735 - 4035	1300*	1510 - 2600	1720 x 265	15,6	40
MQH315H60	1825 - 3890	600	1790 - 3155	2000 x 265	16,5	40
MQH315H130	1865 - 4630	1300*	1790 - 3155	2045 x 265	17,2	40

Dimensions in mm / weight in kg

* Dual column



Model	Workrange	Stroke	Footprint ø	Folded	Weight	Max. Load
MQH125A45	875 - 1845	450	965 - 1495	970 x 265	11,4	25
MQH175A60	1115 - 2475	600	1205 - 1985	1240 x 265	12,9	25
MQH175A130	1160 - 3220	1300*	1205 - 1985	1285 x 265	13,5	25
MQH255A60	1695 - 3295	600	1510 - 2600	1675 x 265	15,1	25
MQH255A130	1735 - 4035	1300*	1510 - 2600	1720 x 265	15,7	25
MQH315A60	1825 - 3890	600	1790 - 3155	2000 x 265	16,7	25
MQH315A130	1865 - 4630	1300*	1790 - 3155	2045 x 265	17,3	25

Dimensions in mm / weight in kg

* Dual Column



Model	Workrange	Stroke	Footprint ø	Folded	Weight	Max. Load
MQH255S60	1695 - 3295	600	1510 - 2600	1675 x 265	16,9	25
MQH255S130	1735 - 4035	1300*	1510 - 2600	1720 x 265	17,6	25
MQH315S60	1825 - 3890	600	1790 - 3155	2000 x 265	18,5	25
MQH315S130	1865 - 4630	1300*	1790 - 3155	2045 x 265	19,2	25

Dimensions in mm / weight in kg

** Dual Column*





MQH438

Aluminium spherical plate foot with 3 rubber pads for smooth surfaces. Also available in set.



MQH202

Aluminium point foot for rough and outdoor surfaces. Also available in set.



MQH230

Solid swivel wheel with lock for easy moving your tripod around. Also available in set.



ADAPTERS

The connection between the tripod and your equipment. See page 31 for more information.



MQH232

Aluminium threeway level for quickly leveling your tripod. Clearly visible at all angles.



MQH233 *new*

Tripod bag for MQH125 series with inner pocket, padded interior and water repellent. Easily & safely transport your tripod.



MQH234 *new*

Tripod bag for MQH175 series with inner pocket, padded interior and water repellent. Easily & safely transport your tripod.



HEAVY DUTY CARBON TRIPODS *NEW*





INFORMATION & APPLICATIONS

The Heavy Duty Carbon Tripods are perfect for heavier and higher work and offer a lot of stability. These tripods are versatile and are used in many sectors and for various applications. These tripods are made of high grade aluminium and Braided UD carbon fiber tubes for maximum strength, thermal stability and low weight. The robust design and the use of high quality materials makes these tripods very durable and low-maintenance. Also has this beauty has an extremely chic and luxurious look that makes you want to be seen with her!



Model	Workrange	Footprint \emptyset	Folded	Weight	Max. Load
MQHC125V	835 - 1355	965 - 1495	930 x 265	8,9	60
MQHC175V	1075 - 1840	1205 - 1985	1200 x 265	9,8	60

Dimensions in mm / weight in kg



MQH CARBON TRIPODS / ADJUSTABLE *NEW*



Model	Workrange	Stroke	Footprint ø	Folded	Weight	Max. Load
MQHC125H45	875 - 1845	450	965 - 1495	970 x 265	10,0	40
MQHC175H60	1115 - 2475	600	1205 - 1985	1240 x 265	11,1	40
MQHC175H130	1160 - 3220	1300*	1205- 1985	1285 x 265	11,8	40

Dimensions in mm / weight in kg

** Dual column*



Model	Workrange	Stroke	Footprint \varnothing	Folded	Weight	Max. Load
MQHC125A45	875 - 1845	450	965 - 1495	970 x 265	10,2	25
MQHC175A60	1115 - 2475	600	1205 - 1985	1205 x 265	11,3	25
MQHC175A130	1160 - 3220	1300*	1205 - 1985	1205 x 265	11,9	25

Dimensions in mm / weight in kg

** Dual Column*



MQH CARBON ACCESSORIES



MQH438

Aluminium spherical plate foot with 3 rubber pads for smooth surfaces. Also available in set.



MQH202

Aluminium point foot for rough and outdoor surfaces. Also available in set.



MQH230

Solid swivel wheel with lock for easy moving your tripod around. Also available in set.



ADAPTERS

The connection between the tripod and your equipment.
See page 31 for more information.



MQH232

Aluminium threeway level for quickly leveling your tripod.
Clearly visible at all angles.



MQH233 *new*

Tripod bag for MQH125 series with inner pocket, padded interior and water repellent. Easily & safely transport your tripod.



MQH234 *new*

Tripod bag for MQH175 series with inner pocket, padded interior and water repellent. Easily & safely transport your tripod.



PRECISION TRIPODS *NEW*





INFORMATION & APPLICATIONS

Discover the power of our patented pending Anti Vibration Technology. These tripods are suitable for the most accurate measurements in the metrology. They are the only tripods in the world that can achieve this measurement accuracy in this height and compactness. These tripods are suitable for all CMMs, such as Laser Trackers, Portable Measuring Arms, 3D Laserscanners, Industrial Theodolites and Structured light scanner. Available in black aluminium or carbon fiber version.



MQ Precision Aluminium Tripod is fully made of high quality aluminium. Thanks to our patent pending Anti Vibration Technology, this tripod is the tallest most accurate yet compact tripod and makes it very suitable for the latest and newest CMMs.

Model	Workrange	Footprint \varnothing	Folded	Weight	Max. Load
MQP1300	800 - 1300	980 - 1510	890 x 265	15,3	100

Dimensions in mm / weight in kg



The MQ Precision Carbon Tripod is made of high quality aluminium and pultruded carbon fiber upper leg tubes. This tripod is also equipped with our Anti Vibration Technology. The carbon enables better torsional and thermal stability combined with less weight.

Model	Workrange	Footprint \varnothing	Folded	Weight	Max. Load
MQPC1300	800 - 1300	980 - 1510	890 x 265	14,3	100

Dimensions in mm / weight in kg



The MQ Precision Aluminium Fixed tripod is fully made of high quality aluminum. The stronger tubes and non extable legs make this tripod extremely stable. Due to the larger leg angle this tripod is very suitable for measuring arms.

Model	Workrange	Footprint ø	Folded	Weight	Max. Load
MQP0800	800	1230	985 x 265	12,1	100

Dimensions in mm / weight in kg



PRECISION ACCESSORIES NEW



MQP102

50 cm Extension with 3 1/2" – 8 UNC thread. Equipped with MQ Anti Vibration Technology for accurate measurements.



MQP103

75 cm Extension with 3 1/2" – 8 UNC thread. Equipped with MQ Anti Vibration Technology for accurate measurements.



MQP104

100 cm Extension with 3 1/2" – 8 UNC thread. Equipped with MQ Anti Vibration Technology for accurate measurements.



MQP100

Transition adapter from 3 1/2" – 8 UNC thread to 5/8" – 11 UNC thread.



MQP101

Ultra high-strength polypropylene copolymer resin, to protect your tripod from water, dust and impact damage.



MQH233

Tripod bag for all MQP series with inner pocket, padded interior and water repellent. For easily & safely transport.





MQA200

Adapter made of anodized aluminium and has a diameter of 65 mm. The adapter has a 5/8" stainless steel screw thread.



MQA207

Adapter made of anodized aluminium and has a diameter of 95 mm. The adapter has a 5/8" stainless steel screw thread.



MQA206

Adapter made of anodized aluminium and has a diameter of 140 mm. The adapter has a 5/8" stainless steel screw thread. Ideal for large equipment.



MQA204

Adapter made of anodized aluminium. The adapter is provided with 3 1/2"- 8 UNC thread with a height of 13 mm. Suitable for lasertrackers.





